



DRIPLEX
ENGINEER

BreakAway Couplings

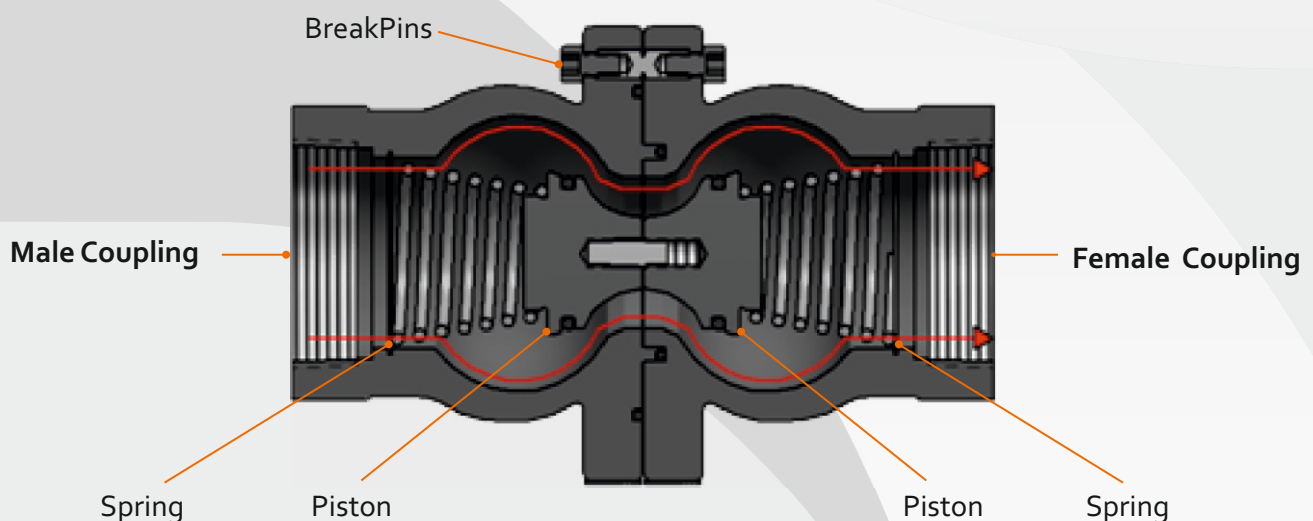
DRIPLEX provides safety solutions to suit Loading Arms and Hoses when subjected to unwarranted load caused by drive away and pull incidents. Safety BreakAway couplings are engineered to prevent and reduce spillage.

Breakaway acts as the weakest link in the transfer system. Hence before the hose gets ruptured or the loading arms break, these couplings Break stopping the flow of the service media. This eliminates the risk of spillages or any other major accidents.



Technical Data:

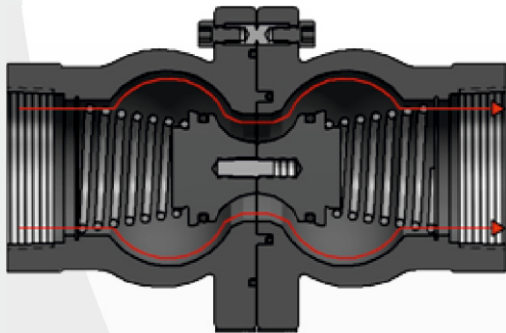
Size Range	: 2" to 12"
Material of Couplings	: Stainless Steel, Aluminum, Hastelloy or any other material on request.
Seals	: FKM (Viton®), NBR (Nitrile), EPDM or any other fluoroelastomer material on request.
End Connection	: Threaded - BSP, NPT, ISO Flange - ANSI, ASME, ISO, DIN, TTMA
Working Pressure	: up to 40 Bar
Temperature Range	: -20°C to 150°C (Variants available to increase the temperature range to -50 Deg C)



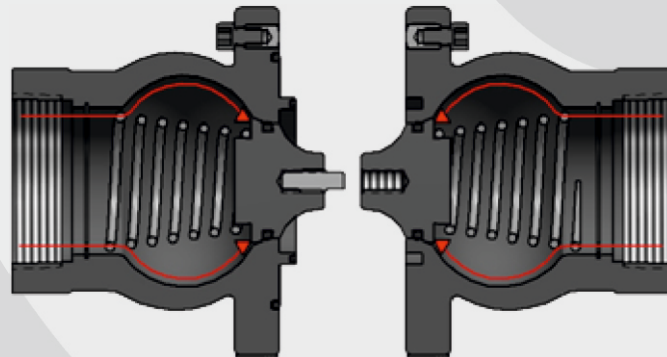
DRIPLEX Break-Away is a high-performance safety product which provides the best flow rate. The can be easily handled, are lightweight and of smaller design.



DRIPLEX
ENGINE TECH



Flow position under normal operation:
The coupling consists of two halves, each with a valve (piston) which is open.



Break position during an incident:
During separation the pin breaks and the spring-loaded valves (pistons) instantly closes and the flow stops.

Under normal circumstances the BreakAway is in Flow position and the liquid or gas can transfer smoothly. The male and female couplings are sealed from the pistons ensuring no leakages.

When there is a sudden excessive load on the couplings due to a pull or a drive away incident, the break pins break. These break pins are designed to break at a pre calculated load.

Once the break pins break, the coupling male and female isolate, instantaneously the valves (pistons) on the couplings close due to the spring. This leads to stoppage of the flow path for the media with minimal spillage.

DRIPLEX BreakAways can be easily reset with a new set of break pins and o-rings need to be changed.

